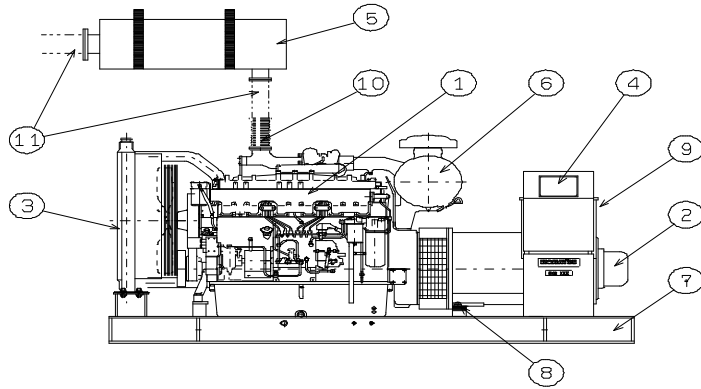


Type of EGS-6 Generators

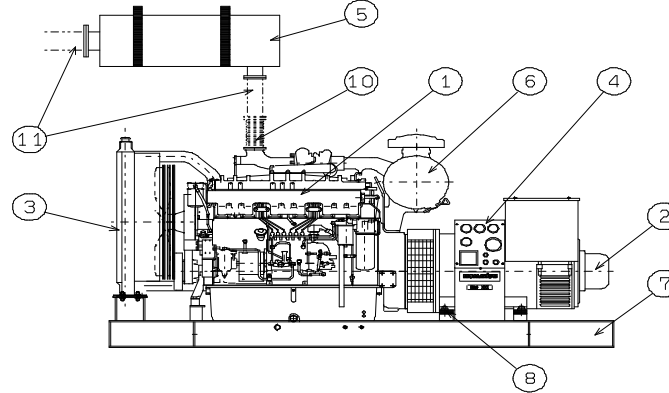
1. Open Type

(Indoor Installation, Single Operation)



3. Basic Type

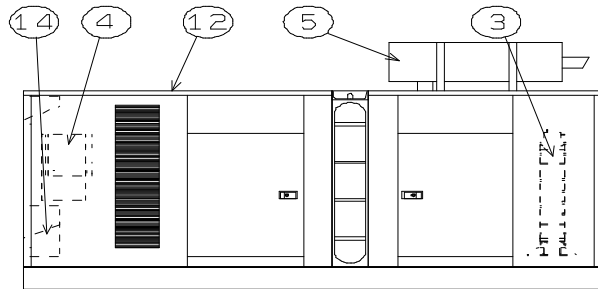
(Indoor Installation, Parallel Operation)



NO	MAIN COMPONENTS
1	Engine
2	Alternator
3	Radiator
4	Control Panel
5	Silencer
6	Air Cleaner
7	Skid Base
8	Rubber Isolator
9	MCCB Box (behind)
10	Bellow
11	Exhaust Piping (Out of Komatsu scope)
12	Canopy (Weatherproof)
13	Canopy (Soundproof)
14	Terminal Box

2. Bonnet Type

(1) Weather-proof Bonnet



(2) Sound-proof Bonnet

